

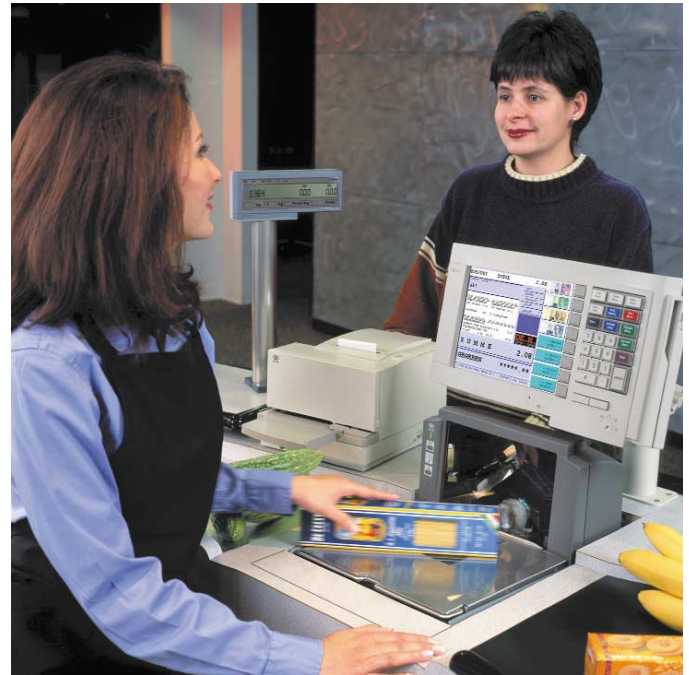


Transforming Transactions  
into Relationships

# NCR 7872 Low-Profile Bi-Optic Scanner/Scale

NCR's Bi-Optic scanning technology is now available in a sleek, new low-profile device:

- The NCR 7872's low profile and wide variety of sizes allow retailers the freedom to mount it into most any seated, standing, or sit-stand combination checkstand on the market today.
- PACESETTER 3 software helps minimize delays in the checkout process by reading poor quality labels, including labels misprinted on in-store printers.
- Presentation scan pattern layered within the high performance scan pattern enables cashiers to choose the checkout style they work with best.
- High-performance scan zone helps cashiers get faster, more precise reads the first time an item is scanned.



## Responsive to retailers

The NCR 7872 Low-Profile Bi-Optic Scanner/Scale stacks a mountain of capabilities into a powerful, but streamlined system – to enhance cashier comfort even in the closest of quarters.

Developed in response to specific retailer requests, it builds the sophistication of bi-optic scanning technology into a sleek, ergonomically sound solution, while designed to remain affordable and easy to service. The NCR 7872 offers flexible configuration options, allowing the buyer to prioritize scanner features within budgetary constraints.

## Simple to master, comfortable to use

The NCR 7872 is uniquely suited for retail environments where cashier space is consistently tight. In fact, it is the thinnest bi-optic scanner on the market. Its low-profile design allows cashiers to slide comfortably underneath it for sit-down scanning. Additionally, the scanner is augmented with software that provides cashiers with the simplest, most intuitive reads available in the industry.

# NCR 7872 Low-Profile Bi-Optic Scanner/Scale

PACESETTER 3 software enables the NCR 7872 to make decisions about poor quality labels. In mere milliseconds, it can decode misprinted, wrinkled or damaged codes. The NCR 7872 can also read misprinted in-store labels like those commonly found in the meat and deli departments. Called “Adaptive Label Reconstruction,” this feature recognizes and reconstructs the missing bars, and provides the terminal with accurate bar-code information so that the checkout process is not delayed.

## **Sharpens customer focus**

The NCR 7872 is designed to lead cashiers to slide products through the high performance scan zone, rather than having to lift and orient products to a scan window. The result is increased cashier comfort, and reduced fatigue. Cashiers are better able to concentrate on building customer relationships and providing a pleasurable shopping experience. As an added bonus, cashiers are naturally faster, minimizing a shopper’s time spent in the checkout process.

## **Enhances cashier performance and customer shopping pleasure**

The NCR 7872 design is a synthesis of customer input, and ergonomic recommendations supplied by the celebrated NCR Human Factors Engineering

group. User training for the NCR 7872 is minimal. Its smart technology anticipates problems often faced by cashiers during a typical day. The NCR 7872 routinely removes obstacles to quality customer service:

- An adjustable pitch and volume control to help cashiers distinguish their good scan tones in tight-fitting checkout environments.
- “Clean glass” indicator immediately lets cashiers know when the scanner window should be cleaned to ensure optimal performance.
- Built-in super-scale is able to weigh produce more quickly than other scales on the market.
- Produce bar ensures precise measurement of produce by lifting fruits and vegetables from the checkstand before they are weighed.

## **Self-monitors for system health**

The Scan Doctor, a self-diagnostics system developed by NCR, performs system health checks each time the NCR 7872 scanner goes through a power cycle and during normal operation. If a failure has occurred, the Scan Doctor alerts the cashier through speech synthesis, announcing both the failure and likely solutions. This allows service personnel to prepare in advance for specific repairs, maximizing their efficiency, and minimizing station downtime.

# Specifications:

## Laser technology

- Laser Diode – 675 nm

## Power

- 90-260VAC/50-60 HZ
- 19 Watts While Scanning
- 14 Watts While in Stand-by

## Environmental specs

- Working Temperature: +10° C to +40° C
- Storage Temperature: -10° C to +50° C
- Relative Humidity: 5% to 95%
- Transit Temperature: -40° C to +60° C

## Physical characteristics

### • Sub-compact scanner

- Width: 11.5"/29.2 cm
- Length: 11.6"/29.5 cm
- Depth: 3.5"/8.9 cm
- Weight: 9.72 lb/4.41 kg

### • Compact scanner

- Width: 11.5"/29.2 cm
- Length: 13.5" or 13.9"/34.3 or 35.3 cm
- Depth: 3.5"/8.9 cm
- Weight: 10.6 lb/4.81 kg

### • Compact scanner\*

- Width: 11.5"/29.2 cm
- Length: 15.7"/39.9 cm
- Depth: 3.5"/8.9 cm
- Weight: 14.27 lb/6.47 kg

### • Compact scanner/scale

- Width: 11.5"/29.2 cm
- Length: 15.7"/39.9 cm
- Depth: 3.5"/8.9 cm
- Weight: 16.04 lb/7.28 kg

### • Full-size scanner\*

- Width: 11.5"/29.2 cm
- Length: 20.0"/50.8 cm
- Depth: 3.5"/8.9 cm
- Weight: 14.32 lb/6.50 kg

### • Full-size scanner/scale

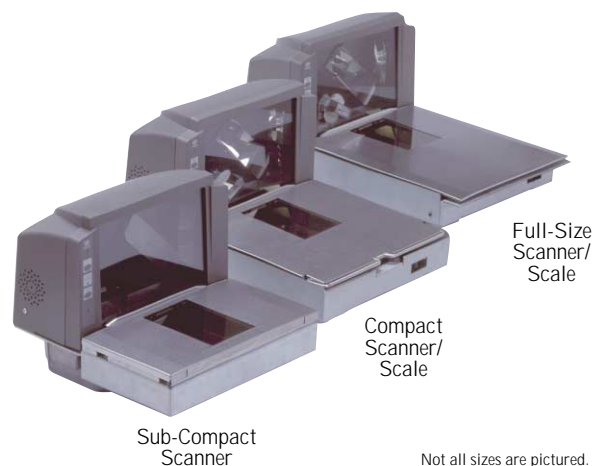
- Width: 11.9"/30.2 cm
- Length: 20.0"/50.8 cm
- Depth: 3.5"/8.9 cm
- Weight: 16.19 lb/7.34 kg

## Optical

- Scan Lines: 24/48\*\*
- Motor Speed: 8000 rpm
- Patterns/second: 133
- Scan Rate: 3192/6384\*\*

\*Field upgrade to scanner/scale available

\*\*Dual-channel Video



Not all sizes are pictured.

# NCR 7872 Low-Profile Bi-Optic Scanner/Scale

## Sound

- <55 dba

## Interfaces

- RS-232
- NCR OCIA Single Cable
- Non-NCR OCIA
- IBM 468X/469X
- Casio SA 2100
- ICL 2001/2200
- ICL 9518/9520/9530
- SNI Beetle 3L/4L
- TEC MXXX

## Symbologies

- UPC/EAN/JAN
- Code 3 of 9 (39)
- Code 128
- IL 2 of 5
- P2/P5 Supplemental Codes
- Multiple-Label Read Mode
- Extended Coupon Code

For more information on the NCR 7872 Low-Profile Bi-Optic Scanner/Scale and other solutions for the retail industry, call your NCR representative or visit NCR on the Internet at [www.ncr.com](http://www.ncr.com).



Transforming Transactions  
into Relationships

[www.ncr.com](http://www.ncr.com)

NCR continually improves products as new technologies and components become available.

NCR, therefore, reserves the right to change specifications without prior notice.

All features, functions and operations described herein may not be marketed by NCR in all parts of the world.

Consult your NCR representative or NCR office for the latest information.

All brand and product names appearing in this brochure are trademarks, registered trademarks or service marks of their respective holders.

Class IIa Laser Product – avoid long-term viewing of direct laser light.

© 2000 NCR Corporation

Patents Pending

Printed in U.S.A.

EB-1313-0700